

Temperatur-Festwert Regler für Heizungs-, Lüftungs- und Klimaanlage.

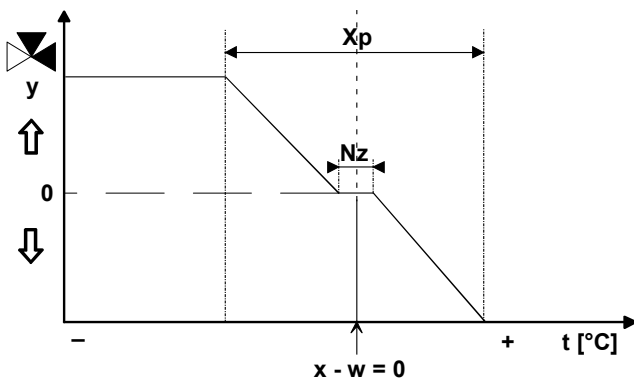
Fixed point temperature regulator for heating, ventilation and climatic equipment.

Régulateur de température a point fixe pour chauffage, ventilation et climatisation.

Regolatore di temperatura a punto fisso per impianti di riscaldamento, ventilazione e climatizzazione.



| ON 1 2 3 4 | Deutsch | English | Français | Italiano |
|-----------------|---|---|---|--|
| 1 ON 1 OFF | Sollwert Einstellbereich w = 60 – 120 °C w = 0 – 60 °C | Set point range w = 60 – 120 °C w = 0 – 60 °C | Plage valeur consigne w = 60 – 120 °C w = 0 – 60 °C | Campo valore consegna w = 60 – 120 °C w = 0 – 60 °C |
| 2 ON 2 OFF | Proportionalband Xp = ± 10 K Xp = ± 20 K | Proportional band Xp = ± 10 K Xp = ± 20 K | Bande proportionnelle Xp = ± 10 K Xp = ± 20 K | Banda proporzionale Xp = ± 10 K Xp = ± 20 K |
| 3 ON 3 OFF | Neutralzone Nz = ± 1.5 K Nz = ± 3.0 K | Neutral zone Nz = ± 1.5 K Nz = ± 3.0 K | Zone de neutralité Nz = ± 1.5 K Nz = ± 3.0 K | Zona neutrale Nz = ± 1.5 K Nz = ± 3.0 K |
| 4 ON 4 OFF | Mischerlaufzeit TΔy _{100%} > 60s TΔy _{100%} > 30s | Valve transition time TΔy _{100%} > 60s TΔy _{100%} > 30s | Temps de course TΔy _{100%} > 60s TΔy _{100%} > 30s | Tempo di corsa TΔy _{100%} > 60s TΔy _{100%} > 30s |



Rot = Mischer öffnet
Red = valve command open
Rouge = mélangeur ouvre
Rosso = miscelatore apre

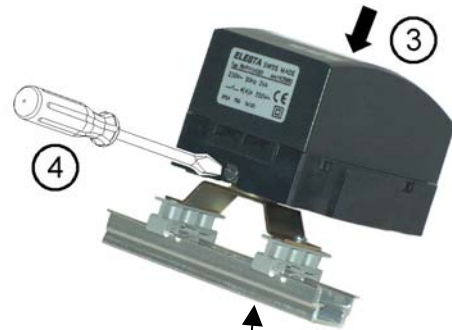
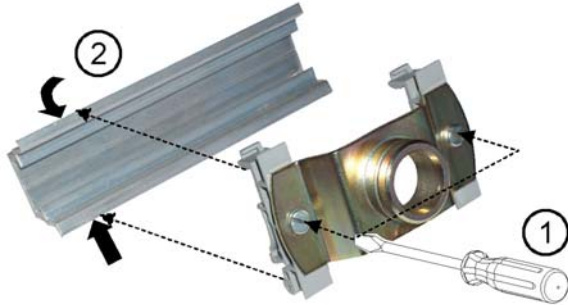
Grün = Mischer schliesst
Green = valve command close
Vert = mélangeur ferme
Verde = miscelatore chiude



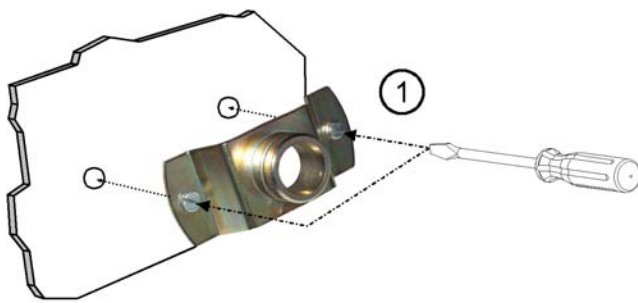
Temperatursollwert
Temperature set point
Température de consigne
Temperatura di consegna



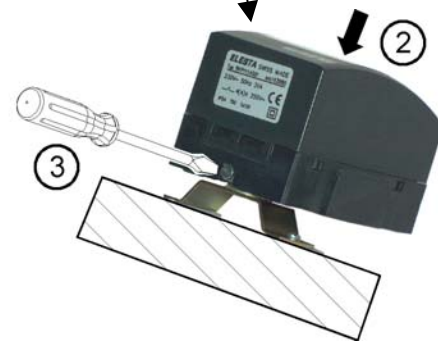
Montage auf DIN-Schiene mit RZB070 und RZB071
 Mounting on DIN rail with RZB070 and RZB071
 Montage sur rail DIN avec RZB070 et RZB071
 Montaggio su barra DIN con RZB070 e RZB071



Wandmontage mit RZB070
 Wall mounting with RZB070
 Montage mural avec RZB070
 Montaggio a parete con RZB070



RKP111A003

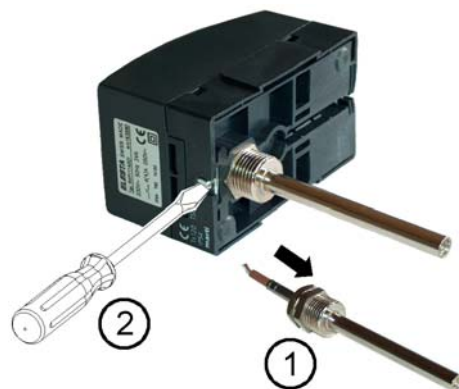


Montage direkt auf Rohrleitung
 Mounting direct on tube
 Montage directement sur tube
 Montaggio direttamente su tubo



RKP111A002

Montage mit Tauchrohr
 Mounting with immersion pocket
 Montage plongeante
 Montaggio ad immersione



RKP111A001